

**YOUR VISION  
OUR MACHINES**



PLANNER  
Elite 41PF

AMUZMA®



**Long Bed. Solid Build. Precise Results**

The Planer 16" Elite 41PF offers superior accuracy and support for long workpieces. With heavy-duty cast iron tables and a parallelogram adjustment system, it ensures vibration-free performance. The robust fence and front-mounted controls enable fast, precise adjustments for efficient operation.

## SPECIFICATIONS

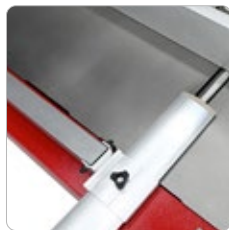
Cutter block Speed	5500rpm
Cutter block Diameter	70mm
Max Depth of Cut	4mm
Cutterhead	
<input checked="" type="checkbox"/> Straight Knives cutterhead	3pcs/410x30x3mm
<input type="checkbox"/> 2 Slot Spiral Cutterhead	44pcs/15x15x2.5mm
Over Length of Planer Tables	2000mm
Extractor Port Dia	120mm
Cutting Motor Output	
<input type="checkbox"/> 3*400V	4kW S6
<input checked="" type="checkbox"/> 1*230V	3kW S6
Net/Gross Weight	290/351kgs
Package Size	2118×818×1138mm
Dimensions	
H x L x W	2080mm x 780mm x 1127mm

Standard Equipment   
  Optional Equipment

## ACCESSORIES



Main Control Panel with Emergency Stop



Bridge-Type Cutterhead Safety Guard

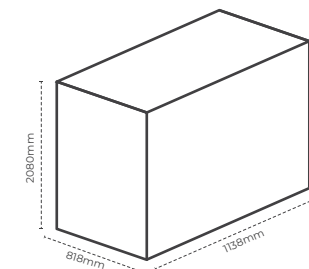
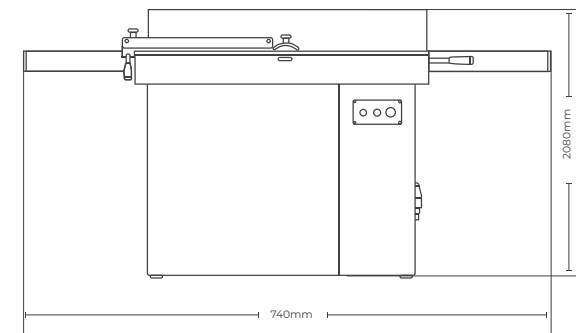
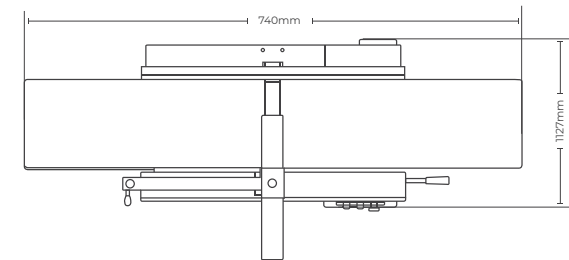


Precision Ground Table



Adjustment Lever

## DIMENSIONS




## Contact Us

 +971 45478088

 +971 50 857 6840

 [info@amuzmamachinery.com](mailto:info@amuzmamachinery.com)

 [www.amuzmamachinery.com](http://www.amuzmamachinery.com)

 Ras Al Khor, Industrial Area 2,  
United Arab Emirates



Website



Contact Us