

**YOUR VISION
OUR MACHINES**



THICKNESSER

Elite 41TH

AMUZMA®



Compact Power for Professional Results

The Elite 41TH is a heavy-duty, space-efficient thicknesser with a 410mm planning width, ideal for jointing and thicknessing wide boards. It delivers consistent performance with a 4mm depth of cut, even on tough hardwoods. Perfect for home workshops, small industries, or woodworking clubs seeking professional results in limited space.

SPECIFICATIONS

Feed Speed	6.5 m/min	Cutting Motor Output	
Cutter block Speed	4200 rpm	<input checked="" type="checkbox"/> 3*400V	4kW S6
Cutter block Diameter	95 mm	<input type="checkbox"/> 1*230V	3kW S6
Max Thicknesser Height	4-220 mm	Net/Gross Weight	
Max Thicknesser Width	410 mm	306/367kgs	
Min Length of Workpiece	156mm	Package Size	
Max Depth of Cut	5mm	740x710x1117 mm	
Depth Indicator		Dimensions	
<input checked="" type="checkbox"/> Scale		H x L x W	
<input type="checkbox"/> Digital		954mm x 700mm x 900mm	
Cutterhead			
<input checked="" type="checkbox"/> Straight Knives Cutterhead 3pcs/410x30x3mm			
<input type="checkbox"/> 3 Slot Spiral Cutterhead 54pcs/15x15x2.5mm			
<input type="checkbox"/> 4 Slot Spiral Cutterhead 72pcs/15x15x2.5mm			
Thickness Table Size	750x408 mm		
Extractor Port Dia.	120 mm		

Standard Equipment Optional Equipment

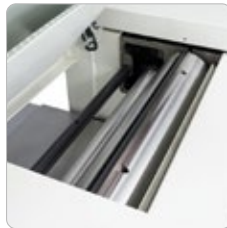
ACCESSORIES



Heavy-Duty Cast-Iron Thickening Table



Table Height Handwheel

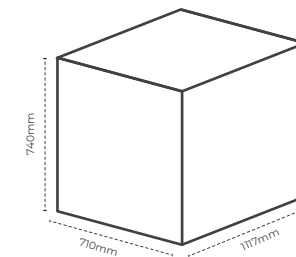
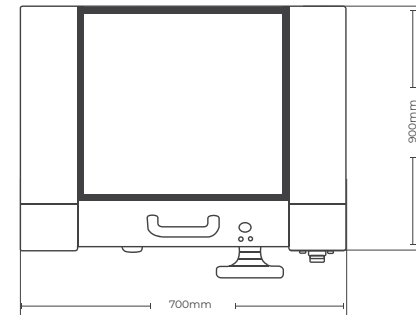
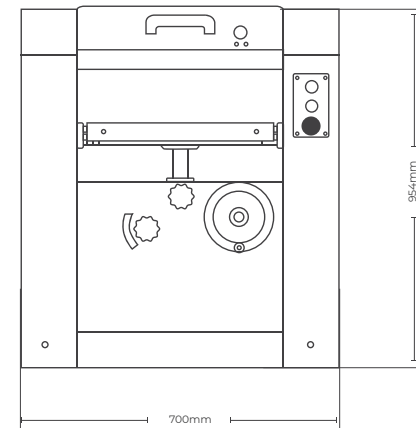


Planer Cutterhead, Power Feed Roller Assembly



Main Control Panel with Emergency Stop

DIMENSIONS




Contact Us

 +971 45478088

 +971 50 857 6840

 info@amuzmamachinery.com

 www.amuzmamachinery.com

 Ras Al Khor, Industrial Area 2,
United Arab Emirates



Website



Contact Us